

SECTION 12 93 43 _Site Seating and Tables

University Contact: Office of the Architect and
Campus Planner:
(302) 766-4703

PART 1 – GENERAL

Information in this Section is to be followed unless otherwise directed by University of Delaware (UD) Owner Representative. All site furniture to be approved by University of Delaware Campus Architect.

1.1 SUMMARY

- A. This section contains information about outdoor seating that includes tables and chairs, and excludes exterior benches.

1.2 REFERENCES

- A. For information on exterior benches, refer to: 4C DIVISION 12_129343.13 Exterior Benches

PART 2 – PRODUCTS

2.1 Parc Centre Café Tables and Chairs

A. Café Tables

- 1. Name: Parc Centre
- 2. Style: Freestanding
Size: 28" Square Top
Color: Silver or Black Powder Coat; TBD on a project by project basis
Interdisciplinary Science and Technology Building: Silver

B. Chairs

- 1. Name: Parc Centre
- 2. Style: Freestanding Chair, with arms
Size: No content.
Color: Silver or Black Powder Coat; TBD on a project by project basis
Interdisciplinary Science and Technology Building: Silver

2.2 Manufacturer/Suppliers

A. For Parc Centre:

Landscape Forms, Inc.
431 Lawndale Avenue
Kalamazoo, MI 49048
Phone: (800)-521-2546
Fax: (269)381-3455
www.landscapeforms.com

PART 3 – EXECUTION (no content)

PART 4 - ATTACHMENTS

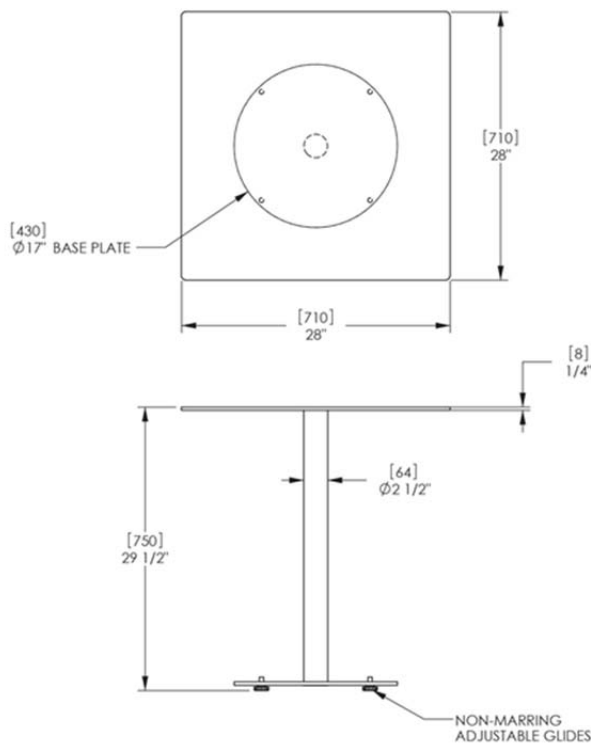
4.1 Parc Centre - Silver Powder Coat Table and Chairs
Location: ISEB



Parc Centre®
Table, 28in Square Top, Freestanding

Product Drawing

landscapeforms®
www.landscapeforms.com Ph: 800.521.2546



Drawing: PC622-01
Date: 5/6/2010
Dimensions are in Inches[mm]

CONFIDENTIAL DRAWING INFORMATION CONTAINED HEREIN IS THE PROPERTY OF LANDSCAPE FORMS, INC. INTENDED USE IS LIMITED TO DESIGN PROFESSIONALS SPECIFYING LANDSCAPE FORMS, INC. PRODUCTS AND THEIR DIRECT CLIENTS. DRAWING IS NOT TO BE COPIED OR DISCLOSED TO OTHERS WITHOUT THE CONSENT OF LANDSCAPE FORMS, INC. © 2010 LANDSCAPE FORMS, INC. ALL RIGHTS RESERVED.

4.2 Parc Centre - Silver Powder Coat Chairs
Location: ISEB



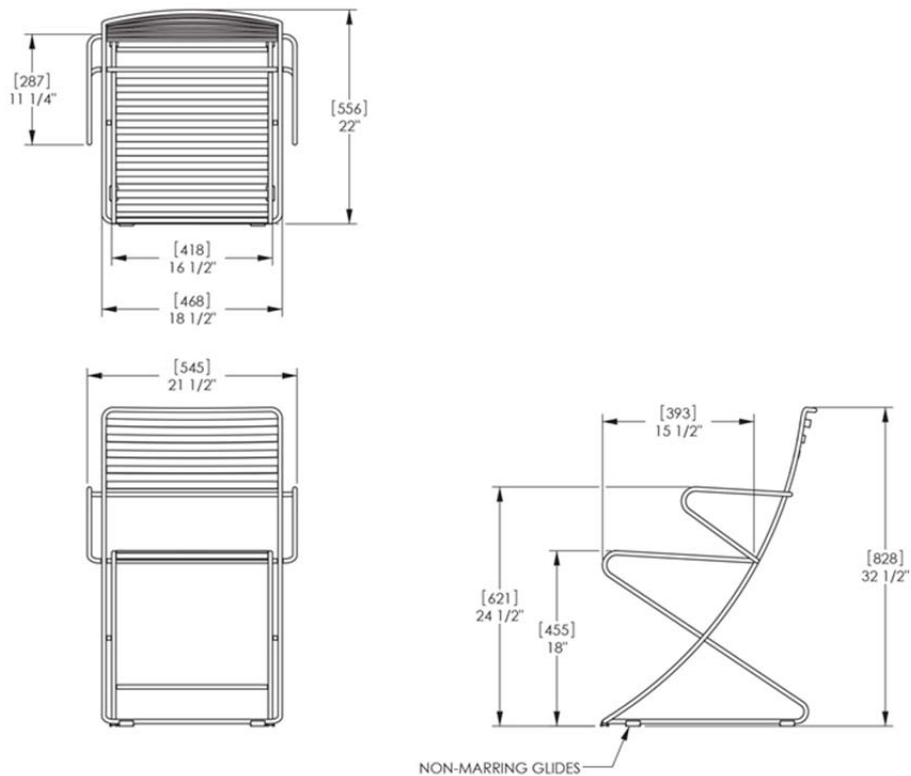
Parc Centre®

Product Drawing

landscapeforms®

Chair, with Arms

www.landscapeforms.com Ph: 800.521.2546



Drawing: PC618-02
Date: 8/10/2010
Dimensions are in Inches(mm)
U.S. Patent Nos. D572,496; D569,121

CONFIDENTIAL DRAWING INFORMATION CONTAINED HEREIN IS THE PROPERTY OF LANDSCAPE FORMS, INC. INTENDED USE IS LIMITED TO DESIGN PROFESSIONALS SPECIFYING LANDSCAPE FORMS, INC. PRODUCTS AND THEIR DIRECT CLIENTS. DRAWING IS NOT TO BE COPIED OR DISCLOSED TO OTHERS WITHOUT THE CONSENT OF LANDSCAPE FORMS, INC. © 2010 LANDSCAPE FORMS, INC. ALL RIGHTS RESERVED.

END OF SECTION