

SECTION 12 93 13.13 _ Site Seating: Exterior Benches

University
Contact:

UD Assistant Director of
Grounds: Office (302) 831-2797
UD Landscape Planner:
Office (302) 831-1817

PART 1 – GENERAL

Information in this Section is to be followed unless otherwise directed by University of Delaware (UD) Owner Representative and UD Grounds Representative (Assistant Director of Grounds or Landscape Planner).

1.1 SUMMARY

- A. Information in this section pertains to outside benches; for other exterior seating refer to: **4C_DIVISION 12_12 93 43 Site Seating and Tables**
- B. Two types of benches currently used are:
 - 1. Victor Stanley Bench
(Recreation Resources)
 - o Used primarily in Central Campus areas and historic areas of campus.
 - 2. Scarborough Bench
(Landscape Forms)
 - o Used primarily in South Campus and North Campus areas.

1.2 REFERENCES

- A. 4E DIVISION 32_321623 Sidewalks _ Pedestrian Paths

1.3 DESIGN REQUIREMENTS

- A. Ample lighting should be provided.
- B. Configuration of seating areas should be diverse to encourage a variety of interaction opportunities.
- C. Benches should be installed on paver pads or paved surfaces, with concrete footers and anchor bolts. Paver pads should be connected to adjacent paving areas.

Refer to **4E DIVISION 32_321623 Sidewalks _ Pedestrian Paths** for additional information.

D. Concrete Footers

1. A concrete footer shall be poured in place under each leg.
2. Dimensions of footer shall be no less than 10" wide x 24" long x 18" deep.
3. Top of footer should not extend beyond bottom of paver.

E. Anchor Bolts

1. Shall be of sufficient length to allow for full penetration into the concrete footer.
2. Shall be painted glossy black and shall be the diameter of both holes.
3. Shall be firmly torqued in place to reduce vandalism and theft of bench.
4. Shall be secured with stainless steel Dynabolt Sleeve Anchors or Trubolt Wedge Anchors, or approved equal.

PART 2 – PRODUCTS

2.1 Victor Stanley Classic Series Bench

Model: C-10 Ipe
Material: Contoured Bench with Ipe slats
Length: 6'
Frame: Black

Manufacturer:
Recreation Resources USA
P.O. Box 371
Kennett Square, PA 19348
Phone: (610)-444-4402
Fax: (610) 444-3359
www.recreation-resource.com

2.2 Scarborough Bench

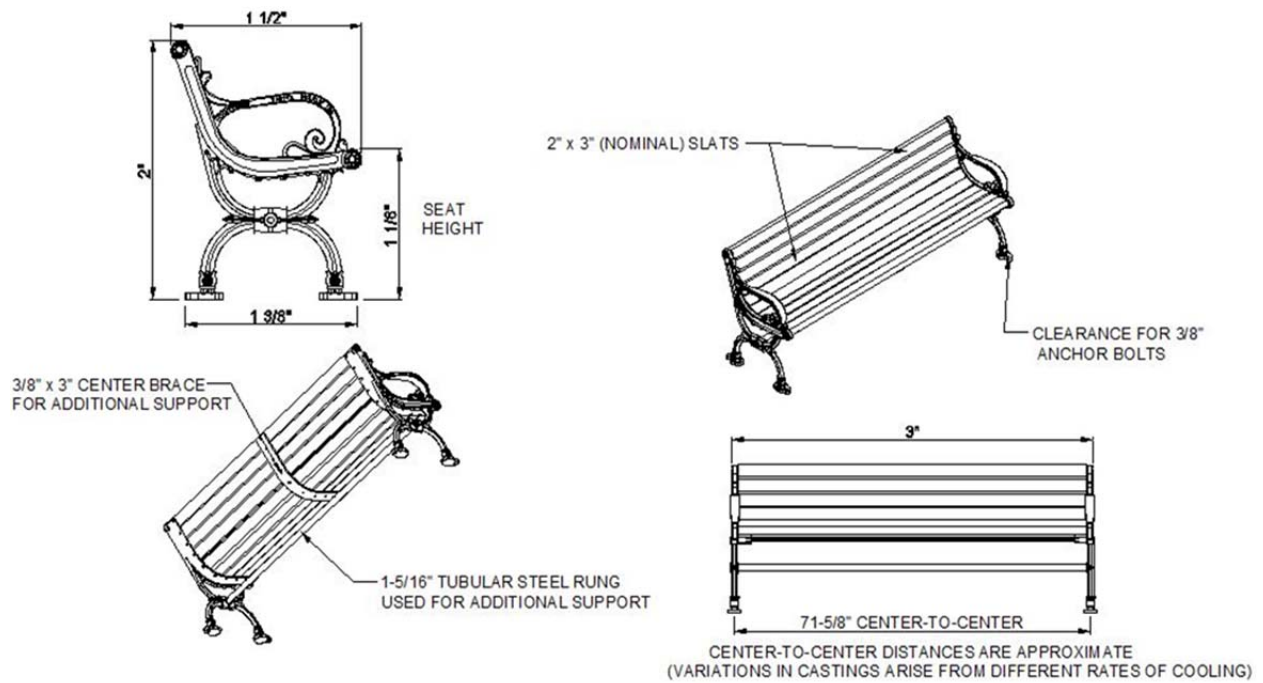
Style: Backed
Insert: Horizontal Strap
Length: 72"
Color: Black Powdercoat
Standard Features: Free standing/ Surface Mountable

Manufacturer:
Landscape Forms, Inc.
431 Lawndale Avenue
Kalamazoo, MI 49048
Phone: (800)-521-2546
Fax: (269)381-3455
www.landscapeforms.com

PART 3 – EXECUTION (no content)

PART 4 – ATTACHMENTS

**4.1 Victor Stanley Bench.
Location: Redding Dormitory**



4.2 Scarborough Bench on Brick Pad



Scarborough Bench and Receptacle

Recommended Procedure for Mounting to Hard-Surfacing:

1. Remove nylon glides from bottom of legs. Be careful not to damage finish. Take great care not to slide unit over concrete or other abrasive surfaces after glides have been removed. Place unit in desired position.
2. Mark hole location through anchor holes. Move unit to allow access for drilling holes.
3. Drill holes at marked position for appropriate anchors.
4. Anchoring procedure and hardware is the responsibility of the installer. Field conditions are beyond the scope of these installation instructions. A maximum 3/8-16 thread size anchor and minimum 2V2" embedded depth are basic recommendations for concrete, however type and condition of anchoring surface ultimately determines type and length of anchor. Non-corrosive anchors are recommended.
5. If using expansion stud or sleeve type anchors, enough exposed thread is required to go through anchoring tab, washer and hex nut. Place unit in position, install washer and hex nut. Care must be taken to prevent scratching finish.

ASSEMBLE WITH CARE! Pangard II® Polyester Powdercoat is a strong, long-lasting finish. To protect this finish during assembly, place unwrapped powdercoated parts on packaging foam or other non-abrasive surface. Do not place or slide powdercoated parts on concrete or other hard or abrasive surfaces -this will damage the finish causing rust to occur. Use touch-up paint to repair any finish abrasions.

landsea performs

431 Lawndale Avenue, Kalamazoo, MI 49048
 PH: 800.521.2546, PH: 269.381.0396, FX: 269.381.3455

END OF SECTION